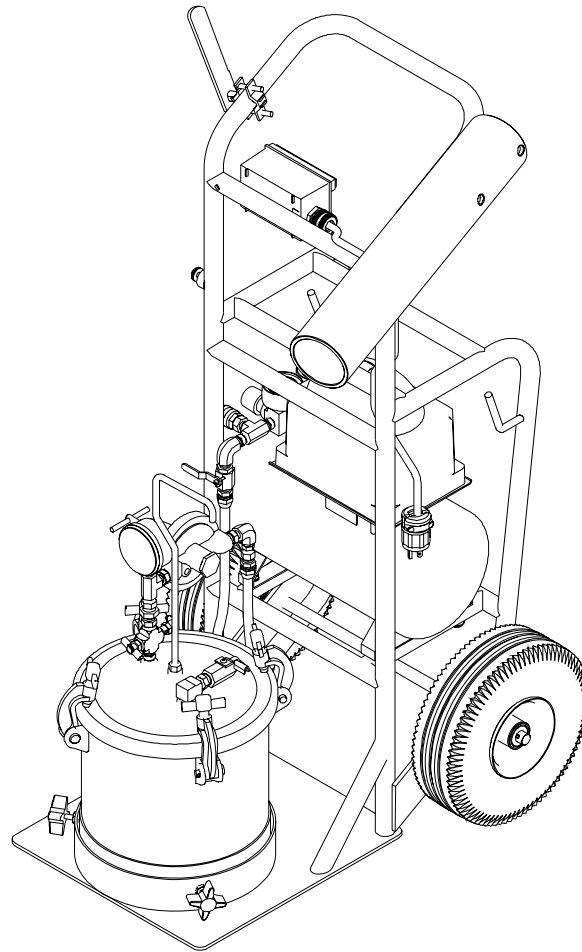

DEUCE CART PACKAGE PARTS LIST

**MODEL:****79297 Deuce Cart Package**

(Includes No. 2 Handgun and Power Supply - Not Shown)

NOTE: This literature contains parts lists and figures that identify component parts of the 79282 Cart Assembly which is comprised of the following additional assemblies: 79284 Air Compressor Assembly and 79281 Pressure Pot Assembly. This document does not cover parts associated with the 19372 No. 2 Handgun Unit (Gun & Power Supply) or the 79283 Air Compressor. For further information on these units, refer to literature associated with that particular equipment.

SAFETY WARNING: For proper operation and safety of the No. 2 Handgun, please refer to the latest version of the No. 2 Handgun Operator Manual.

PARTS IDENTIFICATION

79297 DEUCE CART PACKAGE OPTIONS	
Part#	Description
79297-01	No. 2 Handgun w/Power Supply (Includes 25 Ft. Cable & Hose), Cart Assembly
79297-02	No. 2 Handgun w/Power Supply (Includes 36 Ft. Cable & Hose), Cart Assembly
79297-03	No. 2 Handgun w/Power Supply (Includes 25 Ft. Cable & Hose), Cart Assembly, 76708-00 Performance Package*
79297-04	No. 2 Handgun w/Power Supply (Includes 36 Ft. Cable & Hose), Cart Assembly, 76708-00 Performance Package*

* 76708-00 Performance Package includes: (2) Brush Assemblies, (5) Spray Gun Covers, (1) 4-inch Bell Assembly, (3) 4-inch Feed Tube Assemblies

NOTE: This literature contains parts lists and figures that identify component parts of the 79282 Cart Assembly which is comprised of the following additional assemblies: 79284 Air Compressor Assembly and 79281 Pressure Pot Assembly.

This document does not cover parts associated with the 19372 No. 2 Handgun Unit (Gun & Power Supply) or the 79283 Air Compressor. For further information on these units, refer to literature associated with that particular equipment.

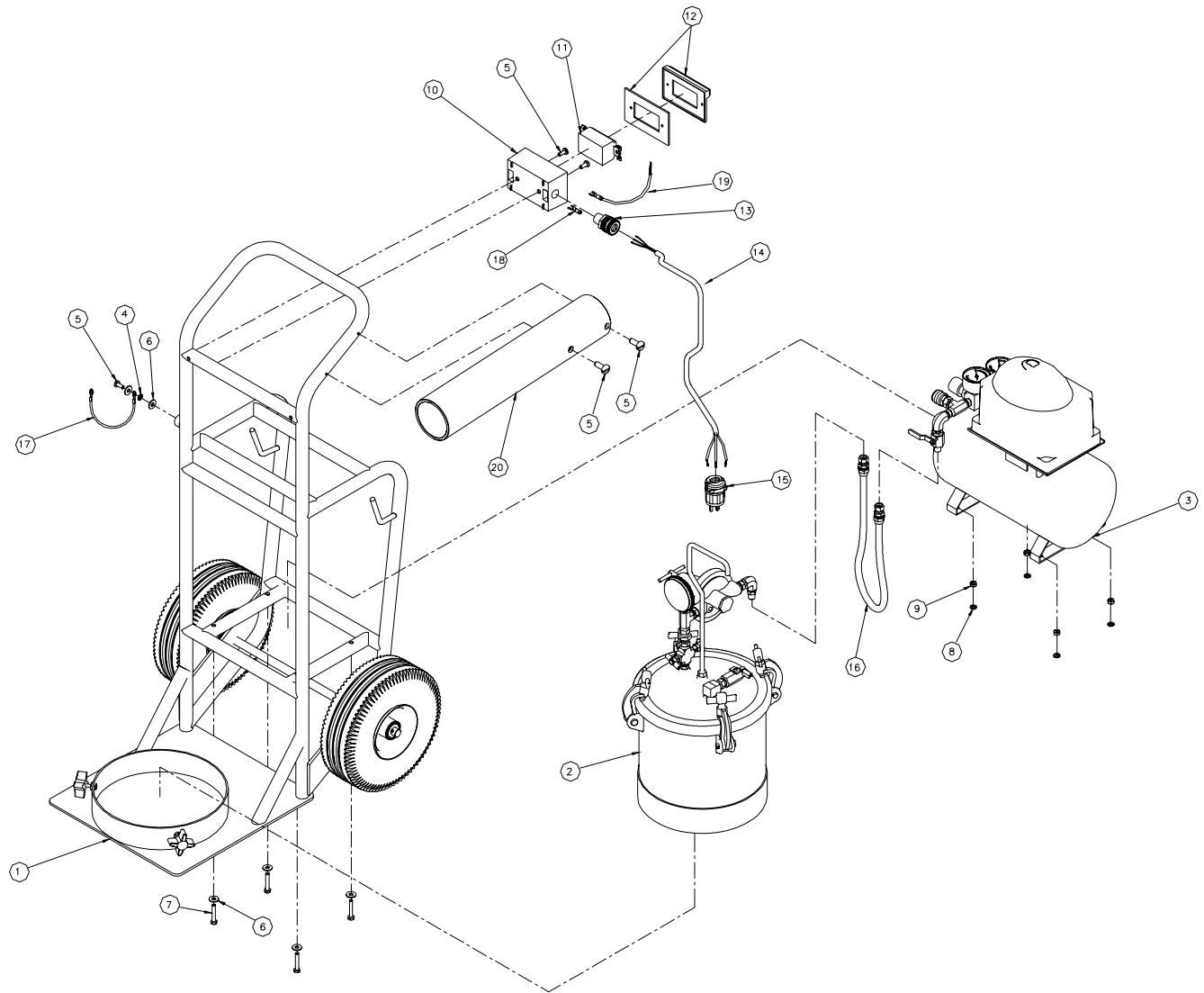


Figure 1: 79282 Cart Assembly

79282 CART ASSEMBLY - PARTS LIST (Figure 1)		
Item#	Description	Part Number
1	Two-Wheel Cart Assembly	79261-00
2	Pressure Pot	79281-00
3	Air Compressor	79284-00
4	Lockwasher, Ext. Tooth, 1/4	20-1370
5	Pan Head Screw, 1/4-20 x 1/2"	20-202
6	Flat Washer, 1/4	20-4644
7	Hex Head Bolt, 1/4-20 x 1-1/2"	20-1369
8	Lockwasher, 1/4	20-1041
9	Hex Nut, 1/4-20	20-301
10	Outlet Box, Single Gang	79287-00
11	Receptacle, Elect. GFCI, 15 Amps	79290-00
12	Cover, Waterproof	79285-00
13	Connector, Strain Relief, Line Cord	79288-00
14	Electrical Cord, 14/3, 300V	79293-25
15	Electrical Plug, NEMA 5-15, 15 Amps	79291-00
16	Air Hose Assembly	HA-57030
17	Grounding Wire Assembly, 10"	79292-00
18	Spade Terminal, 16-14 AWG, #10	79294-00
19	Grounding Wire Assembly, 5"	79295-00
20	Holster with Label, Deuce Cart	79458-00
21	Cable Tie (Not Shown)	20-1269

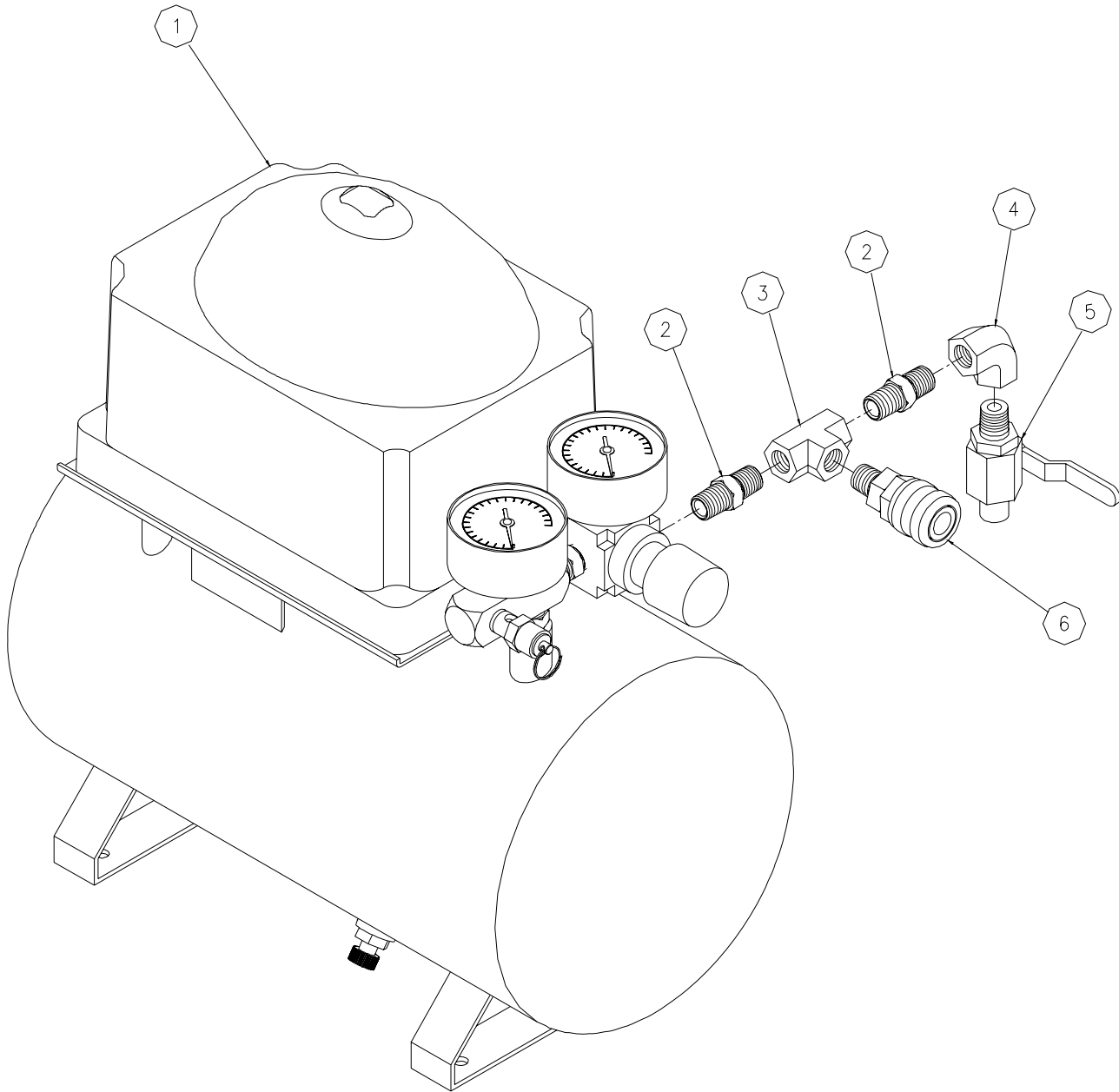


Figure 2: 79284 Air Compressor Assembly

79284 AIR COMPRESSOR ASSEMBLY - PARTS LIST (Figure 2)		
Item#	Description	Part Number
1	Air Compressor	79283-00
2	Hex. Nipple, 1/4 NPT	20-6714
3	Tee, 1/4 NPT	20-5859
4	Elbow, 1/4 NPT	20-1
5	Ball Valve	VA-542
6	Q.D. Body Assembly, 1/4 NPT(F)	72-2063

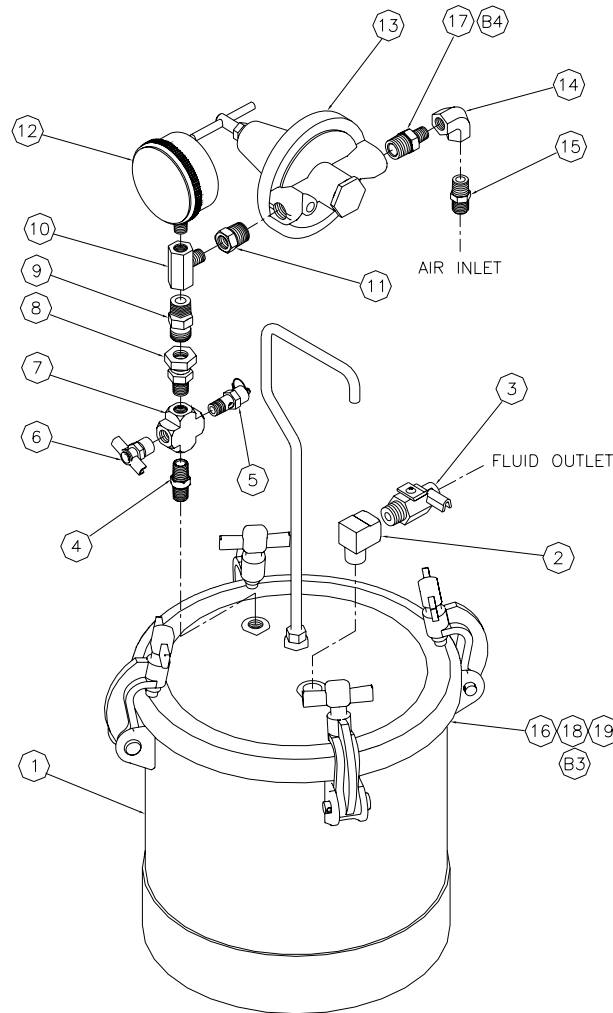


Figure 3: 79281 Pressure Pot Assembly

79281 PRESSURE POT ASSEMBLY - PARTS LIST (Figure 3)

Item#	Description	Part Number
1	Pressure Pot	PT-423
2	St. Elbow, 3/8 NPT	SSP-1939
3	Ball Valve, 3/8 NPT(M) x 3/8 NPS(M)	VA-527
4	Nipple, Hex, 1/4 NPT(M)	SSP-462-2N
5	Valve, Safety, 40 PSI	TIA 4040
6	Valve, Drain	SS-2705
7	Cross, 1/4 NPT(F)	SSP-3301-NI
8	Adapter, Swivel, 1/4 NPT(M) x 1/4 NPS(F)	SSP-8217-2
9	Adapter, 1/4 NPT(M) x 1/4 NPS(M)	H-2008
10	Male Branch Tee, 1/4 NPT(F)	SSP-2629-ZN
11	Bushing, 1/4 NPT(F) x 3/8 NPT(M)	20-1753-1
12	Gauge, Pressure 0-30 PSI, 2-1/2", 1/4 NPT(M)	83-1414
13	Regulator, Air 3/8 NPT(F)	HAR-501
14	Elbow, 1/4 NPT(F)	20-2848
15	Adapter, 1/4 NPT(M) x 1/4 NPS(M)	H-2008
16	Lid	PT-422
17	Nipple, 3/8 NPT(M) x 1/4 NPT(M)	83-4233
18	Fluid Tube	QMS-9-1
19	Gasket	PT-33-1

Gun Holder Mounting Instructions (Refer to Figure 4)

1. Remove 1/4-20 x 1/2 Rd. Hd. Bolt from the 79305-00 Grounding Clamp.
2. Remove 1/4-20 x 3/4 Hex. Hd. Bolt and 1/4-20 Nut supplied with 3936-00 Gun Mounting Tap, but keep the 1/4 Lockwasher.
3. Pick a location on the cart handle for the gun mounting tab and install the 79305-00 Grounding Clamp.
4. Mount the 3936-00 Gun Mounting Tap to the 79305-00 Grounding Clamp with the 1/4-20 x 1/2 Hex. Hd. Bolt and 1/4 Lockwasher.

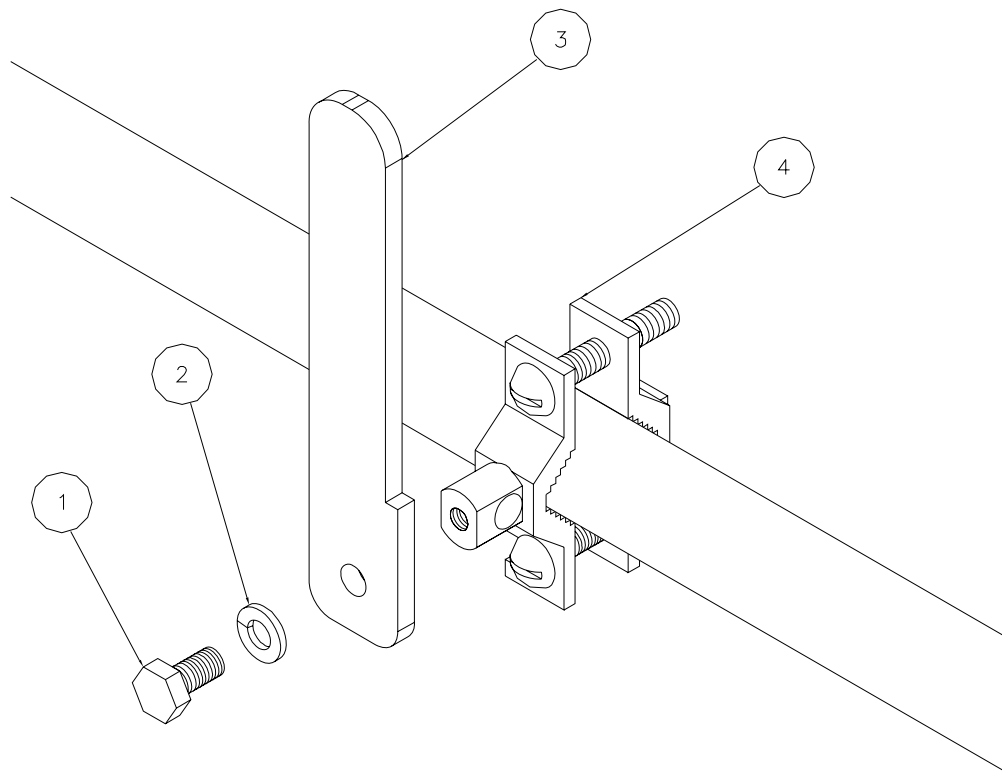


Figure 4: Diagram - Gun Holder Mounting

GUN HOLDER MOUNTING DIAGRAM - PARTS LIST (Figure 4)		
Item#	Description	Part Number
1	1/4-20 X 7/16" Hex. Hd. Bolt	20-301
2	1/4 Lockwasher	20-1041
3	Gun Holder	3936-00
4	Grounding Clamp	79305-00

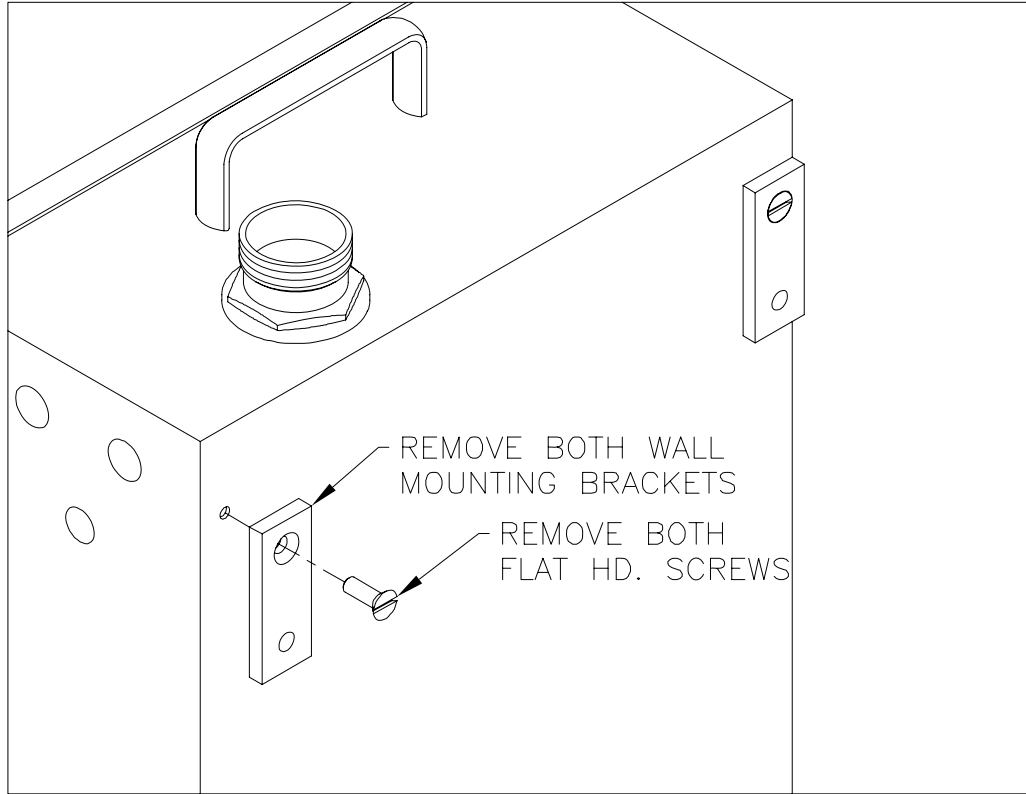
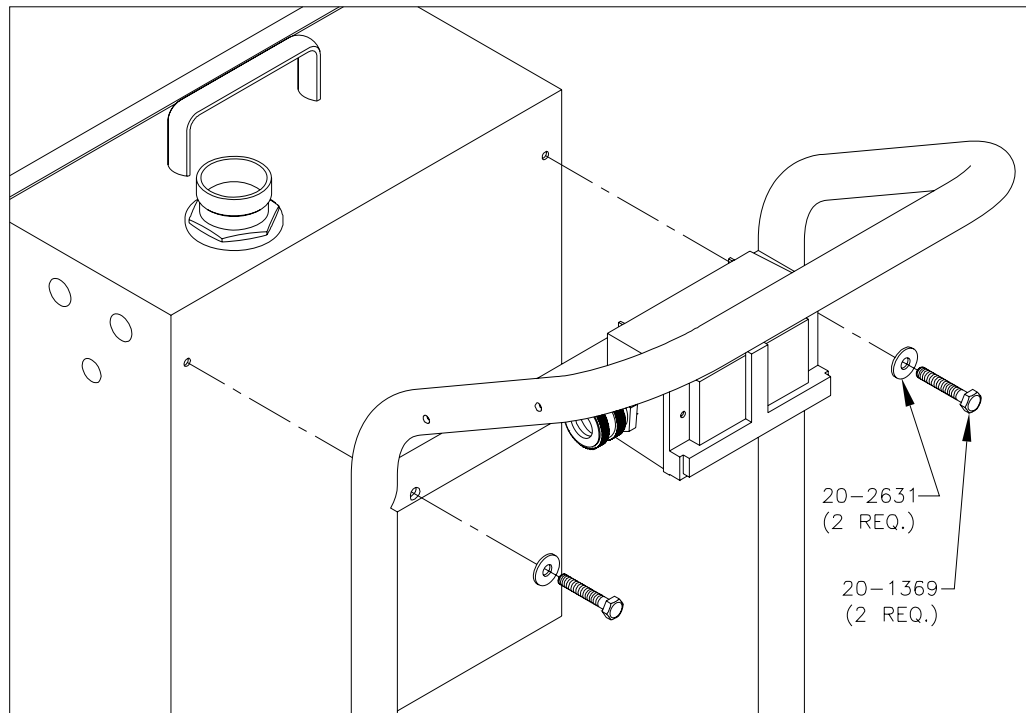


Figure 5a: Diagram - Mounting Power Supply to Cart



Note: Some items are not shown in order to enhance clarity.

Figure 5b: Diagram - Mounting Power Supply to Cart

Manufacturing

1910 North Wayne Street
Angola, Indiana 46703-9100
Telephone: 260/665-8800
Fax: 260/665-8516

Technical/Service Assistance

Automotive Assembly and Tier I
Industrial Systems
Ransburg Guns

Telephone: 800/ 626-3565 Fax: 419/ 470-2040
Telephone: 800/ 233-3366 Fax: 419/ 470-2071
Telephone: 800/ 233-3366 Fax: 419/ 470-2071

Technical Support Representative will direct you to the appropriate telephone number for ordering Spare Parts.

